

DO NOT SCALE

This drawing has been produced by Dorman Long Technology in accordance with the instructions of the client for their sole and specific use.
 Dorman Long Technology shall not be liable for the use of any information contained on this drawing for any purpose other than that for which it was specifically prepared and provided.
 Should there be any doubt regarding the interpretation of any information given on this drawing, enquiries should be directed to Dorman Long Technology at the address given below before executing such part of the works.

Copyright © Dorman Long Technology

NOTES

ALL DIMENSIONS IN MILLIMETRES (mm) UNLESS NOTED OTHERWISE

SPECIFICATION

SAFE WORKING LOAD	300 Te
2 No MAIN RAMS (EACH)	150 Te CAPACITY 2000mm STROKE
TEST LOAD (1.25xSWL)	375 Te
WORKING PRESSURE	280 Bar
TEST PRESSURE (1.25xWORKING PRESSURE)	350 Bar
OPERATING TEMPERATURE	-20 Deg C to +40 Deg C
SUITABLE FOR CHAIN UP TO 'd' = 120mm	SEE TYPICAL CHAIN DETAILS
TOTAL WEIGHT	14.8 Te (APPROX)

OPERATING SPEED (TYPICAL) 30-60 m/hr

Dorman Long Technology
 The Charles Parker Building
 Midland Road, Higham Ferrers
 Northamptonshire, NN10 8DN
 United Kingdom
 Tel: +44 (0) 1933 319133
 Fax: +44 (0) 1933 319135
 www.dormanlongtechnology.com

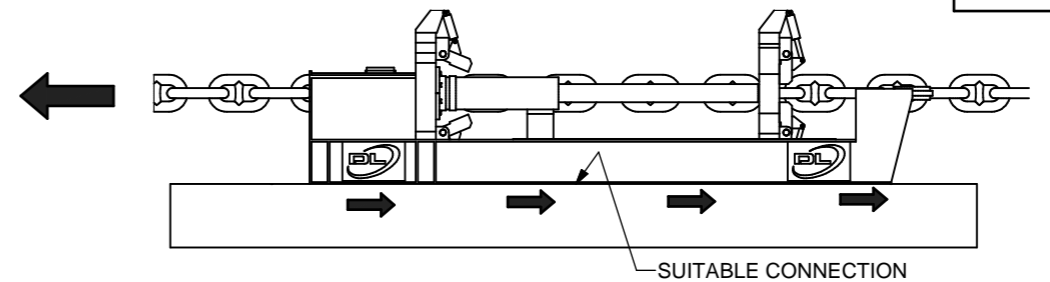
Project
 DL-CH300 / 2000 CHAIN JACK

Drawing Title
 GENERAL ARRANGEMENT
 ISOMETRIC VIEW

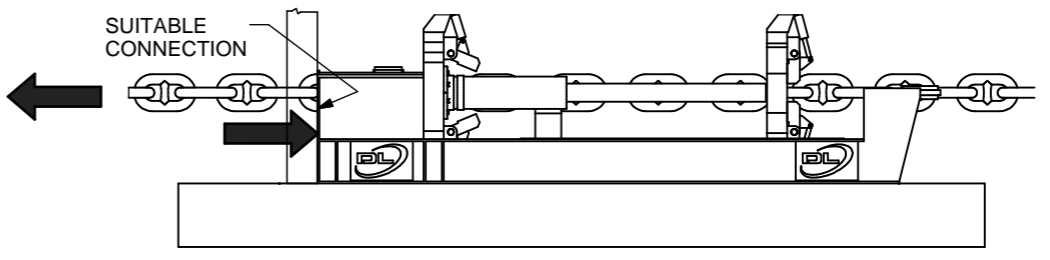
Design Eng: PD	Checking Eng: JK
Drawn by: AW	Project Eng: SAB

Scales (At A3) AS SHOWN
 Drawing Status
FOR INFORMATION

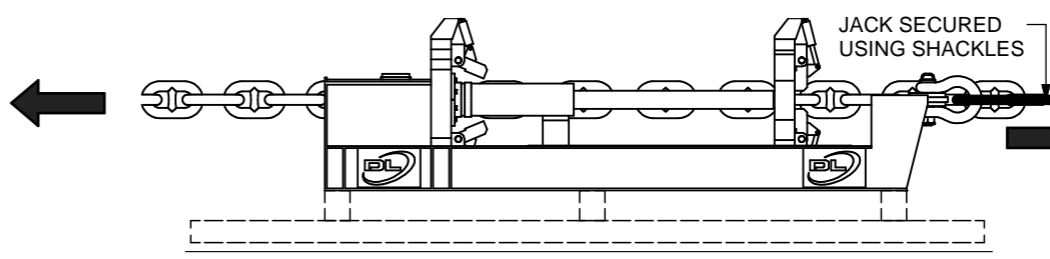
Original Drawing size: A3	Drawing No.	Sheet	Rev.
	DL-CH300/2000-001		C



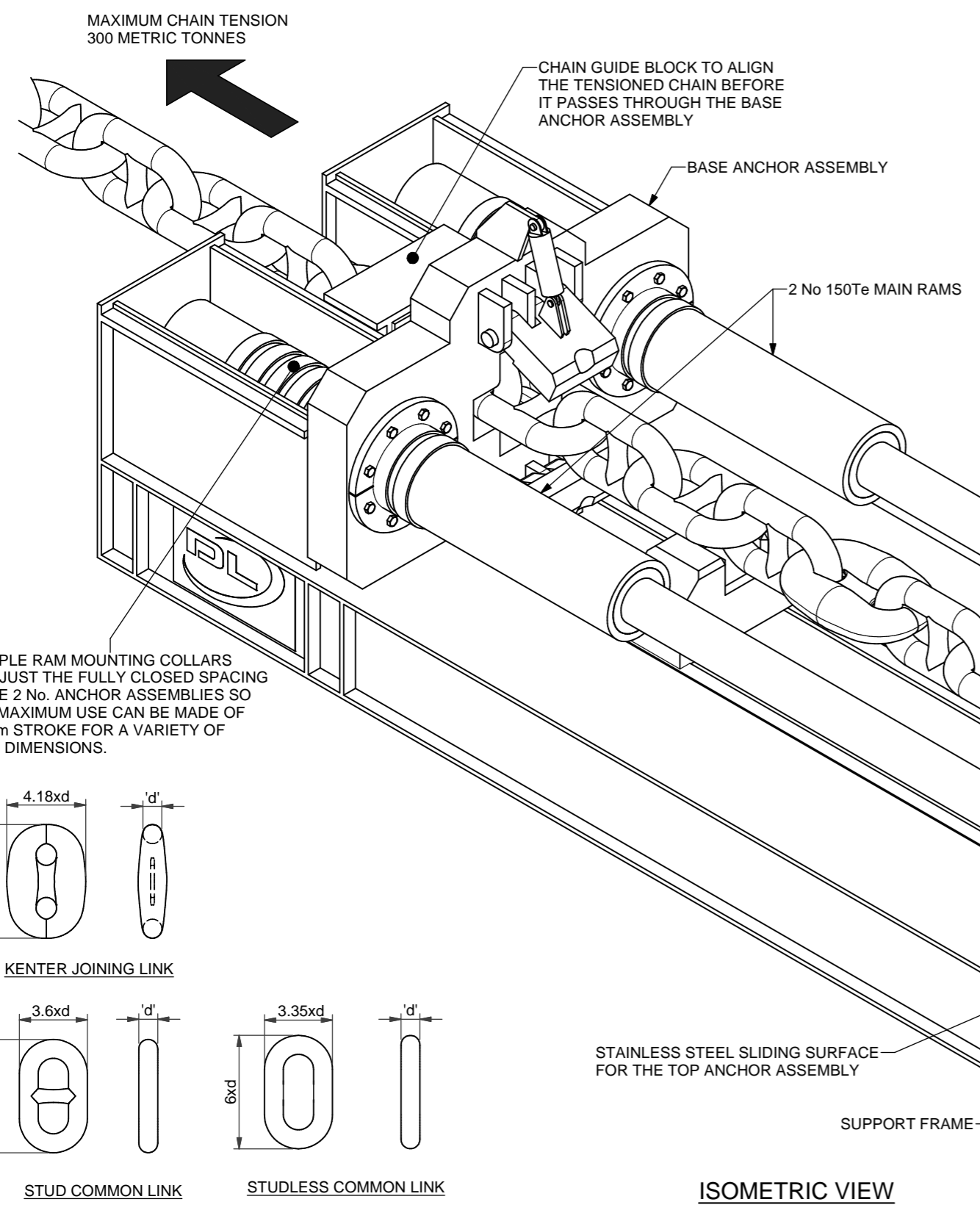
CHAIN JACK FIXED ON BASE PLATE



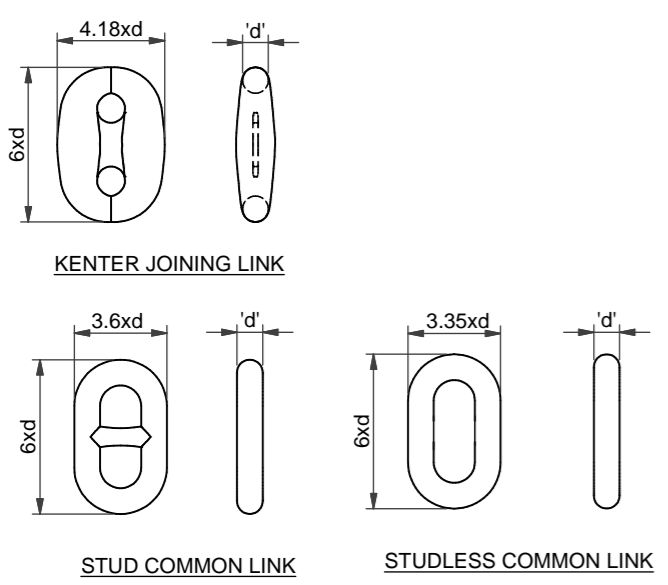
CHAIN JACK FIXED ON END PLATE



CHAIN JACK SECURED USING SHACKLES



ISOMETRIC VIEW



TYPICAL CHAIN DETAILS

NOMINAL TENSION FROM CHAIN HANDLING SYSTEM

DO NOT SCALE

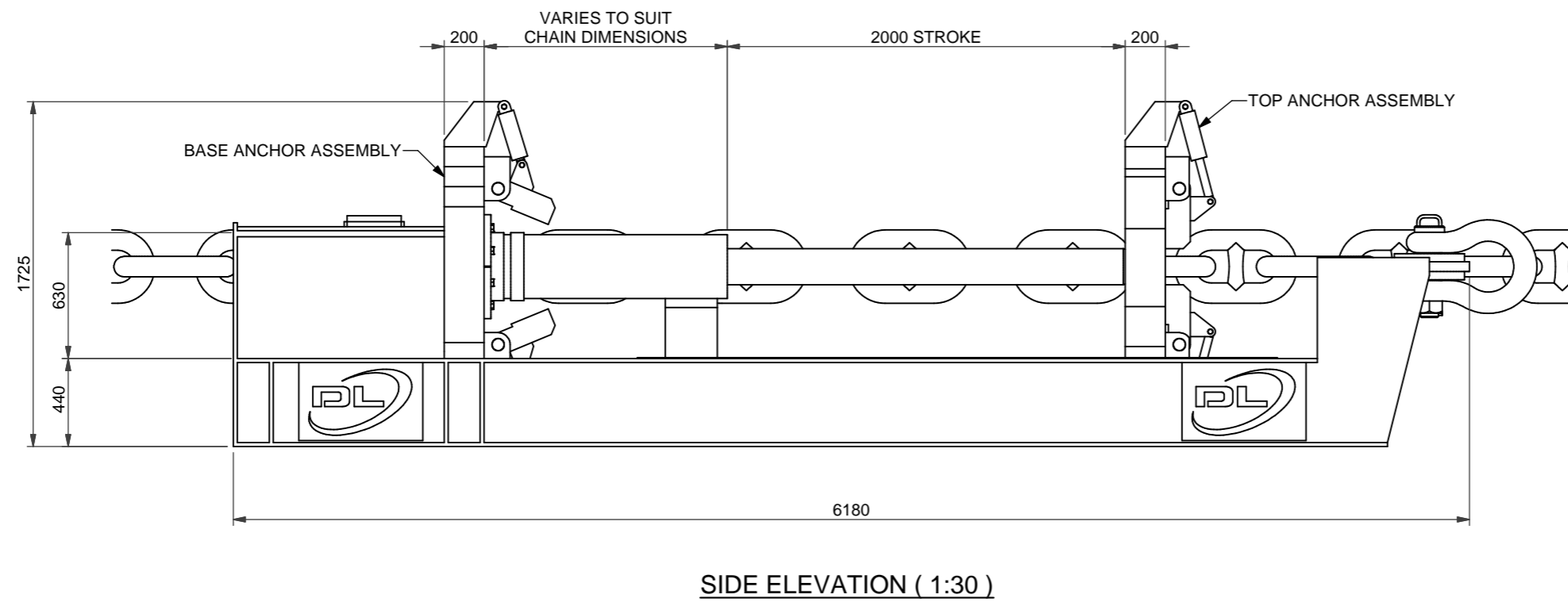
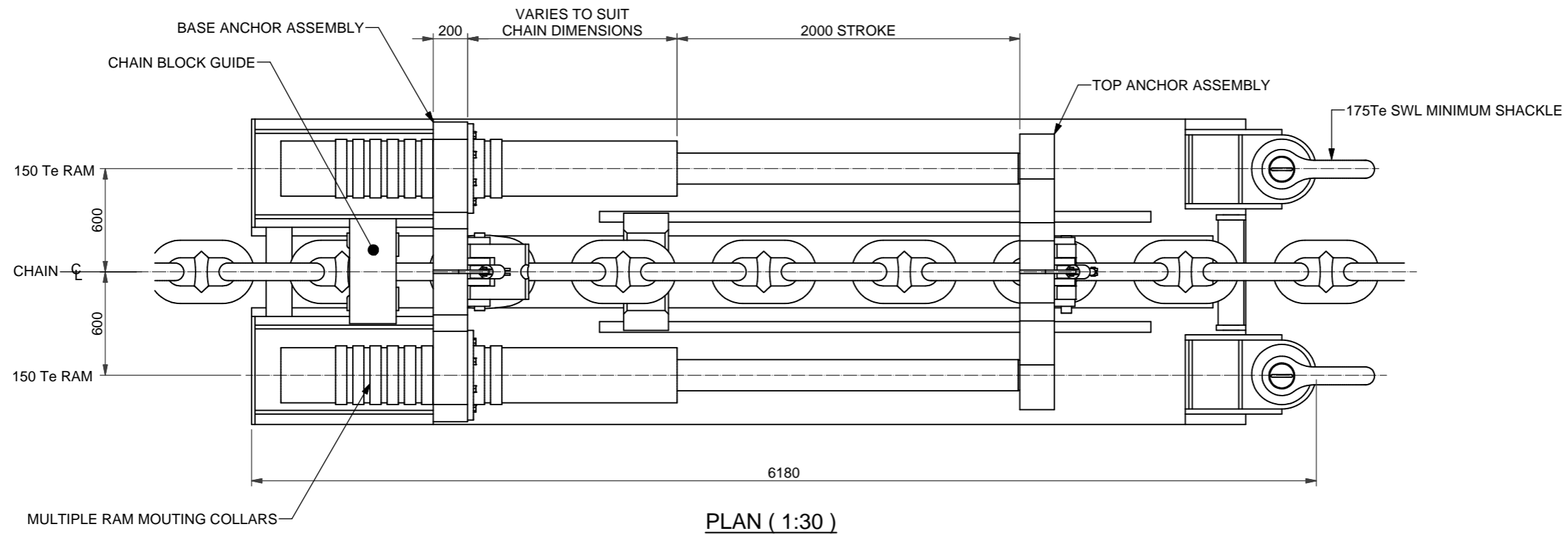
This drawing has been produced by Dorman Long Technology in accordance with the instructions of the client for their sole and specific use.

Dorman Long Technology shall not be liable for the use of any information contained on this drawing for any purpose other than that for which it was specifically prepared and provided.

Should there be any doubt regarding the interpretation of any information given on this drawing, enquiries should be directed to Dorman Long Technology at the address given below before executing such part of the works.

Copyright © Dorman Long Technology

NOTES



DL

Dorman Long Technology
 The Charles Parker Building
 Midland Road, Higham Ferrers
 Northamptonshire, NN10 8DN
 United Kingdom
 Tel: +44 (0) 1933 319133
 Fax: +44 (0) 1933 319135
 www.dormanlongtechnology.com

Project
DL-CH300 / 2000 CHAIN JACK

Drawing Title
GENERAL ARRANGEMENT
PLAN AND ELEVATION

	Design Eng: PD	Checking Eng: JK
	Drawn by: AW	Project Eng: SAB

Scales (At A3) AS SHOWN	Drawing Status FOR INFORMATION
-------------------------------	--

Original Drawing size: A3	Drawing No.	Sheet	Rev.
	DL-CH300/2000-002		C